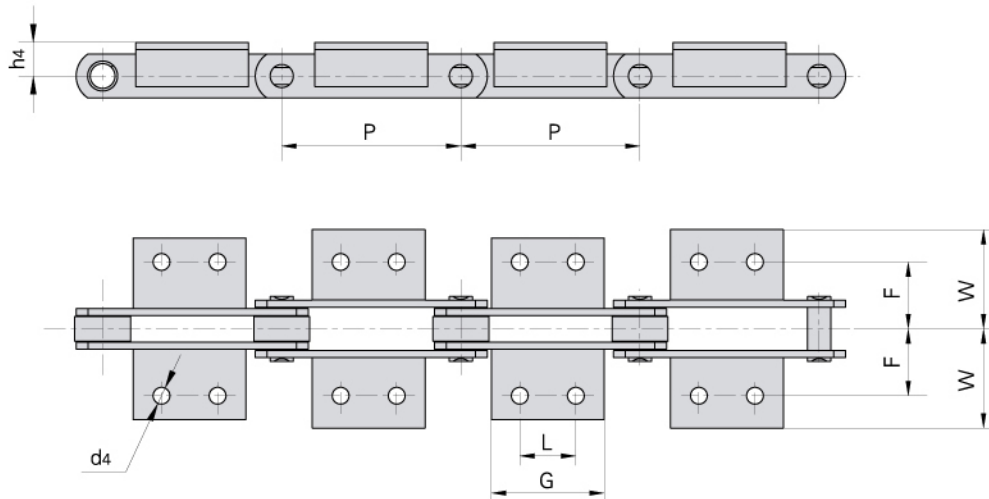


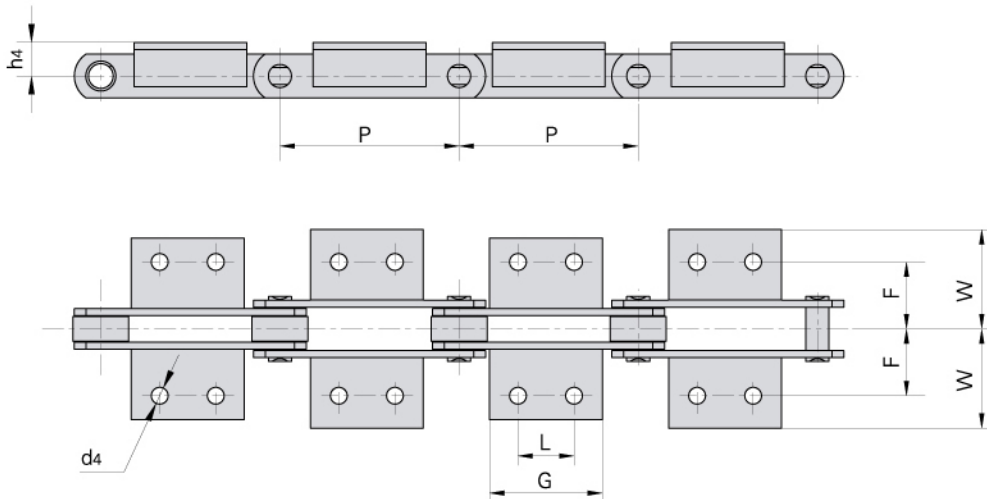
# Conveyor chain with attachments (FV series) Förderketten mit Befestigungslaschen (FV Serie)



DIN Chain No. DIN Ketten Nr.	P	L	G	d4	F	W	h4
	mm	mm	mm	mm	mm	mm	mm
FV40	50.0	△	45.0	6.5	25.0	40.5	20.0
	63.0	△	31.0				
	80.0	25.0	45.0				
	100.0	30.0	50.0				
	125.0	30.0	60.0				
FV63	63.0	△	40.0	8.4	34.0	50.0	30.0
	80.0	25.0	45.0				
	100.0	30.0	50.0				
	125.0	40.0	60.0				
	160.0	50.0	70.0				
FV90	63.0	△	30.0	8.4	40.0	64.0	35.0
	80.0	25.0	45.0				
	100.0	30.0	50.0				
	125.0	40.0	60.0				
	160.0	50.0	70.0				
	200.0	60.0	80.0				
	250.0	65.0	85.0				
FV112	100.0	30.0	50.0	11.0	50.0	70.0	40.0
	125.0	40.0	65.0				
	160.0	50.0	75.0				
	200.0	65.0	90.0				
	250.0	80.0	105.0				

△ Attachments with 1 hole  
△ Befestigungslaschen mit einem Loch

# Conveyor chain with attachments (FV series) Förderketten mit Befestigungslaschen (FV Serie)

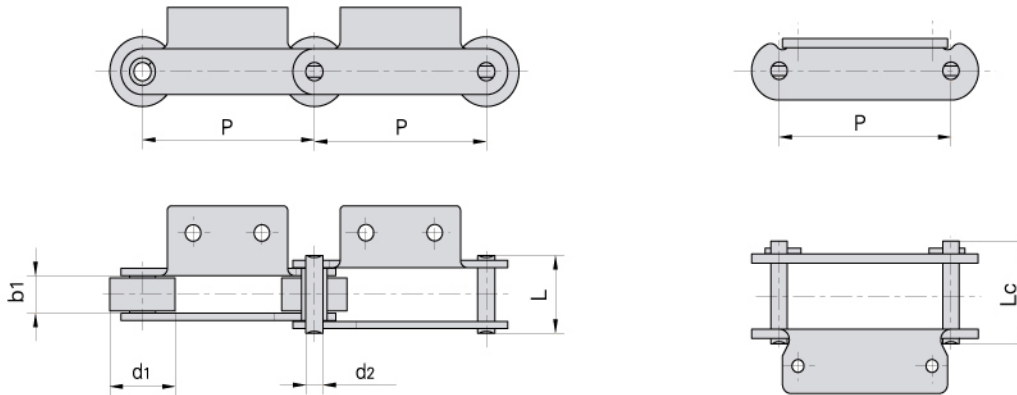


DIN Chain No. DIN Ketten Nr.	P	L	G	d4	F	W	h4
	mm	mm	mm	mm	mm	mm	mm
FV140	100.0	30.0	55.0	11.0	50.0	81.0	45.0
	125.0	40.0	65.0				
	160.0	50.0	75.0				
	200.0	65.0	90.0				
	250.0	80.0	105.0				
FV180	125.0	35.0	63.0	13.0	64.0	91.0	45.0
	160.0	50.0	80.0				
	200.0	65.0	95.0				
	250.0	80.0	110.0				
	315.0	100.0	130.0				
FV250	160.0	50.0	80.0	14.0	69.0	106.0	55.0
	200.0	65.0	95.0				
	250.0	80.0	110.0				
	315.0	100.0	130.0				
	400.0	100.0	130.0				
FV315	160.0	△	50.0	14.0	85.0	130.0	60.0
	200.0	65.0	95.0				
	250.0	80.0	110.0				
	315.0	100.0	130.0				
	400.0	100.0	130.0				

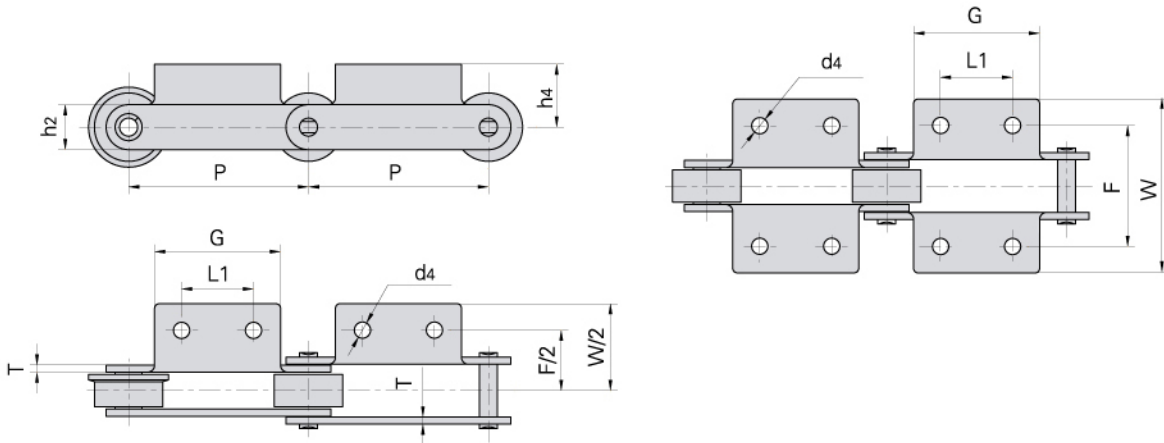
△ Attachments with 1 hole

△ Befestigungslaschen mit einem Loch

# Conveyor chain with attachments (FV series) Förderketten mit Befestigungslaschen (FV Serie)



Donghua Chain No. Donghua Ketten Nr.	Pitch	Roller diameter	Width between inner plates	Pin diameter	Pin length		Ultimate tensile strength	Average tensile strength	Weight per meter
	Teilung	Rollen-durchmesser	Innere Breite	Bolzen-durchmesser	Bolzen-länge		Min. Bruchkraft	Durchschn. Bruchkraft	Gewicht
	P	d1 max	b1 min	d2 max	L max	Lc max	Q min	Q0	q
	mm	mm	mm	mm	mm	mm	kN/LB	kN	kg/m
FV90A2F1-P-85	85.00	50.00	25.00	14.00	52.0	56.5	90.0/20250	100.0	10.15
FV90A2F1-P-100	100.00	50.00	25.00	14.00	52.0	56.5	90.0/20250	100.0	8.74
FV112F1A1-P-100	100.00	55.00	30.00	16.00	71.0	76.5	180.0/40492	200.0	14.30
FV112F1A1-P-80	80.00	55.00	30.00	16.00	71.0	76.5	180.0/40492	200.0	16.60



Donghua Chain No. Donghua Ketten Nr.	P	L1	G	F	W	h4	h2	d4	T
	mm	mm	mm	mm	mm	mm	mm	mm	mm
FV90A2F1-P-85	85.00	40.00	60.00	80.0	109.2	40.0	35.0	9.5	5.00
FV90A2F1-P-100	100.00	40.00	60.00	80.0	109.2	40.0	35.0	9.5	5.00
FV112F1A1-P-100	100.00	△	50.00	120.0	164.0	50.0	40.0	15.0	8.00
FV112F1A1-P-80	80.00	△	50.00	120.0	164.0	50.0	40.0	15.0	8.00

△ Attachments with 1 hole  
△ Befestigungslaschen mit einem Loch